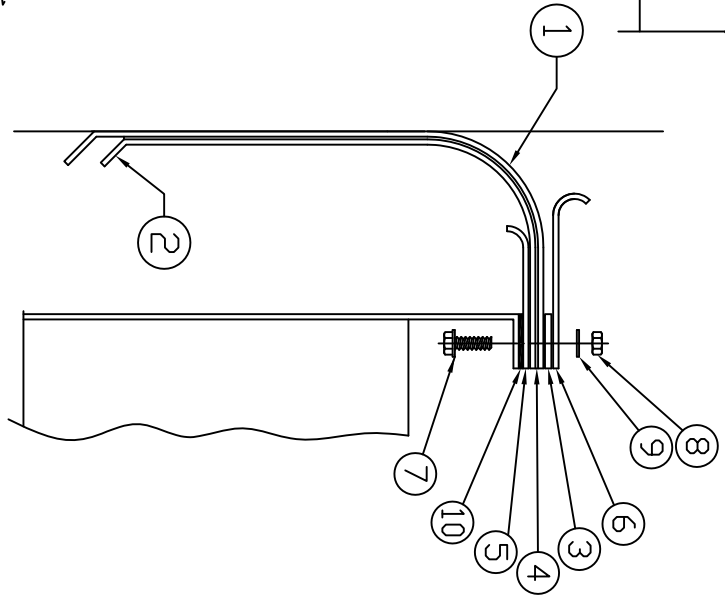
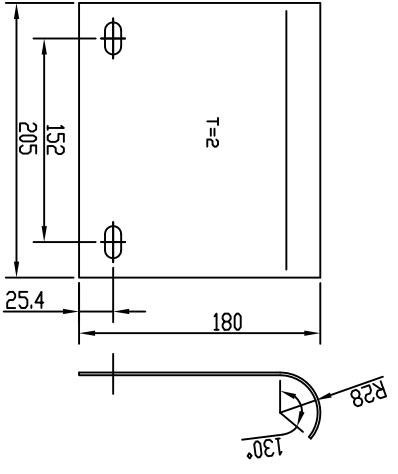
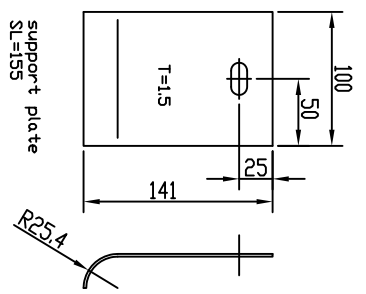
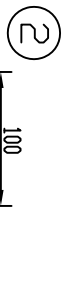
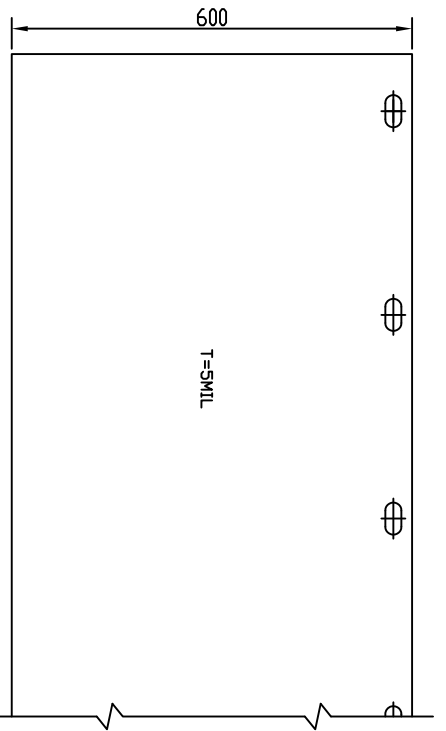
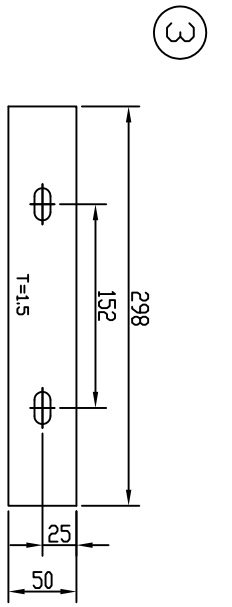


EQUIPMENT LIST

NO.	QTY	UNITS	DESCRIPTION	SPEC
1	743	EA.	SHOE PLATE.	SS304
2	743	EA.	PRESS PLATE.	SS304
3	380	EA.	RIM HOLD DOWN PLATE.	SS304
4	120	M.	LAMINATED TEFLON FABRIC.	TEFLON
5	743	EA.	SUPPORT PLATE	SS304
6	372	EA.	BUMPER BAR.	SS304
7	760	EA.	BOLT,HEX,3/8" x 1 1/2"	SS304
8	760	EA.	HEXNUT,3/8"	SS304
9	760	EA.	WASHER,FLAT 3/8"	SS304
10	120	M.	NEOSPORGE TAPE.	NEOSPORGE



Vap-O-Loc Milk Seal

REVISION	DWN	CHKR	APVD

APPROVED BY HKM

DATE 2007.05.23

ORDER NO. 2007.05.21

DATE 2007.05.21

TANK NO. Vac-D-Loc MK 2 Seal

TANK SIZE DIA. 36M.

CUSTOMER DRAWING NO. REV. 1